

A

B

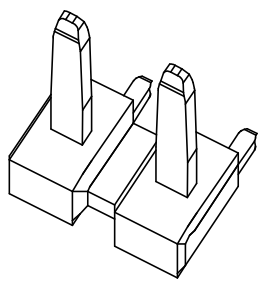
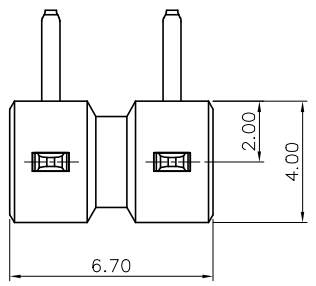
C

D

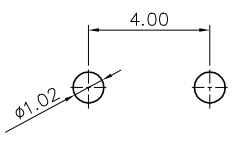
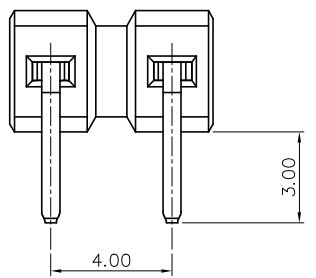
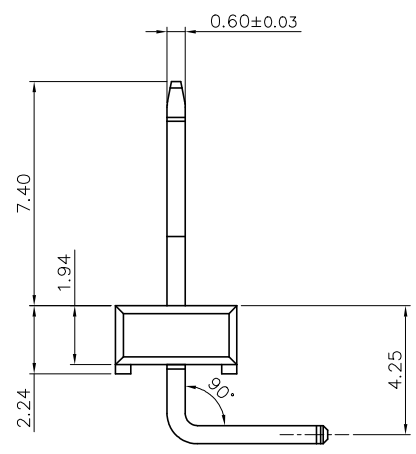
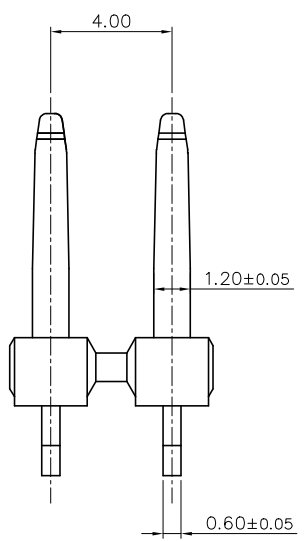
E

F

REV.	ECN NO.	DESCRIPTION	DATE	DESIGN
X0		新版发行	2021.12.10	LEO-HE



NOTES:
 1.MATERIALS: SEE BOM
 2.FINISH: TERMINAL:SEE PART NO;
 3.PARTING LINE FLASH SHALL NOT EXCEED 0.3MM.
 4.DEBURR AND BREAK SHARP EDGES UNLESS
 5.SPEC. PLS. REFER TO E1134;
 6.PART NO.: PH4001H-XX X X X
 WITHOUT "H" : WITH HALOGEN
 WITH "H" : HALOGEN FREE
 Pin NO. 02: 2P
 COLOR:
 B: Black
 PLATING
 B: Tin PLATED
 G: Gold Flash overall
 Packing
 2: BAG



Recommended P.C.B Layout(Top Side)
(Tolerance=±0.05)

NO.	DESCRIPTION	Q'TY.	MATERIAL
2	TERMINAL	2	BRASS T=0.60 Gold Plated
1	HOUSING	1	LCP UL94V-0 BLACK

一般公差 TOLERANCES X ±0.5 XX ±0.2 .X ±0.3 .XXX ±0.1 ANGLES ±2°		希尔盛精密电子(昆山)有限公司 品名 (TITLE) Pin Header,90°DIP,4.0mm Pitch 单排 排针 製圖 (DR) Leo_he					
檢驗尺寸標示 SYMBOLS INDICATE CLASSIFICATION DIMENSION				審核 (CHKD) YXL			
MARK IS CRITICAL DIM. MARK IS MAJOR DIM.		圖號 (DWG NO.) C-PH4001H-XXXXX 核准 (APPD) YXL					
表面處理 (FINISH)		比例 (SCALE) 1:1	單位 (UNITS) m m		張數 (SHEET) 1/1	SIZE A4	REV X0

A

B

C

D

E

F