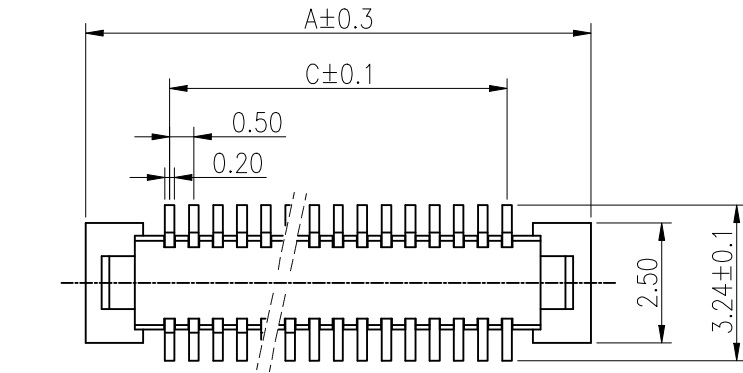
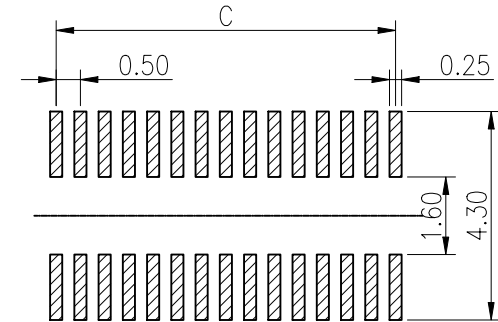
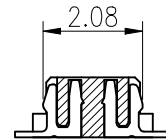
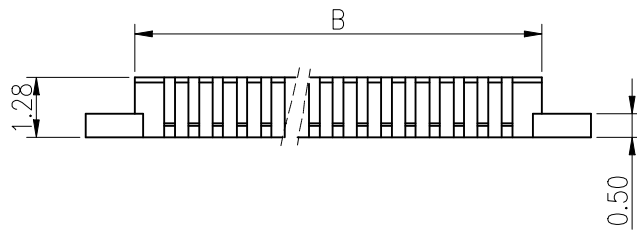


REV.	ECN NO.	DESCRIPTION	DATE	DESIGN
B		调整电气性能描述&更新图框	2021.11.11	XUETAOGUO



- NOTE:  
 1.MATERIAL: SEE BOM  
 2.FINISH: CONTACT: 50U"MIN,NICKEL UNDERPLATING OVERALL. SURFACE FOLLOW THE P/N.  
 3. SPEC. PLS. REFER TO EI067:  
 . DIM. MARKED  $\square$  SHOULD BE ANALYSED TERMLY BY QC;  
 4.ORDERING INFORMATION:

BT0525 H- XX X X X X  
 WITHOUT "H" : WITH HALOGEN  
 WITH "H" : HALOGEN FREE  
 PIN NO. PACKING: 0:TAPE&REEL  
 C:COVER M:MYLAR □:UNDEFINED B: BLACK  
 PLATING SPEC G:GOLD FLASH T:GOLD 3U" ON CONTACT AREA



RECOMMENDED PCB PATTERN DIM.  
 TOLERANCE : ±0.05

PIN	A	B	C	PIN	A	B	C
10	5.50	3.40	2.00	50	15.50	13.40	12.00
12	6.00	3.90	2.50	52	16.00	13.90	12.50
14	6.50	4.40	3.00	54	16.50	14.40	13.00
16	7.00	4.90	3.50	56	17.00	14.90	13.50
18	7.50	5.40	4.00	58	17.50	15.40	14.00
20	8.00	5.90	4.50	60	18.00	15.90	14.50
22	8.50	6.40	5.00	62	18.50	16.40	15.00
24	9.00	6.90	5.50	64	19.00	16.90	15.50
26	9.50	7.40	6.00	66	19.50	17.40	16.00
28	10.00	7.90	6.50	68	20.00	17.90	16.50
30	10.50	8.40	7.00	70	20.50	18.40	17.00
32	11.00	8.90	7.50	72	21.00	18.90	17.50
34	11.50	9.40	8.00	74	21.50	19.40	18.00
36	12.00	9.90	8.50	76	22.00	19.90	18.50
38	12.50	10.40	9.00	78	22.50	20.40	19.00
40	13.00	10.90	9.50	80	23.00	20.90	19.50
42	13.50	11.40	10.00				
44	14.00	11.90	10.50				
46	14.50	12.40	11.00				
48	15.00	12.90	11.50				

2	TERMINAL	~	PHOSPHOR BRONZE
1	HOUSING	1	THERMALPLASTIC ,UL94-V0
NO.	DESCRIPTION	Q'TY.	MATERIAL

一般公差  
 TOLERANCES  
 X ±0.5 XX ±0.15  
 .X ±0.2 .XXX ±0.1  
 ANGLES ±2°

希尔盛精密电子(昆山)有限公司

檢驗尺寸標示  
 SYMBOLS  $\oplus$   $\ominus$  INDICATE CLASSIFICATION DIMENSION  
 品名 (TITLE) 0.5mm pitch BTB PLUG 合  
 高1.5H~2.5H 产品H=1.28  
 製圖 (DR) XUETAOGUO

MARK IS CRITICAL DIM.  
 MARK IS MAJOR DIM.  
 圖號 (DWG NO.) C-BT0525H-XXXXX  
 審核 (CHKD) LEO-HE  
 核准 (APPD) LEO-HE

表面處理 (FINISH)  
 比例 (SCALE) 5:1 單位 (UNITS) mm  
 張數 (SHEET) 1 OF 1 尺寸 A4 頁數 REV B